

MADISON Shower set without hand shower - Chrome

MADISON

26 413 370



- slide bar
- Pipe diameter 18 mm
- rosettes Ø 60 mm
- gauge 850 mm
- metal shower hose 1750mm with integrated anti-twist protection
- shower hose connector 1/2"

This article does not include a hand shower!

NOTE: Hand shower sold separately. Please see hand shower options under the miscellaneous articles section of each series.

| | | |
|--|-------------------------------|---------------|
| | Chrome | 26 413 370-00 |
| | Brushed Platinum | 26 413 370-06 |
| | Platinum | 26 413 370-08 |
| | Durabress (23kt Gold) | 26 413 370-09 |
| | Brushed Durabress (23kt Gold) | 26 413 370-28 |
| | Brushed Dark Platinum | 26 413 370-99 |

Recommended miscellaneous

| | | |
|--|----------------------------|-----------------------|
| | Concealed adapter - | 35 080 970-90 0010 |
|--|----------------------------|-----------------------|

Recommended miscellaneous

| | | |
|--|------------------------------------|---------------|
| | MADISON Wall elbow - Chrome | 28 450 370-00 |
|--|------------------------------------|---------------|

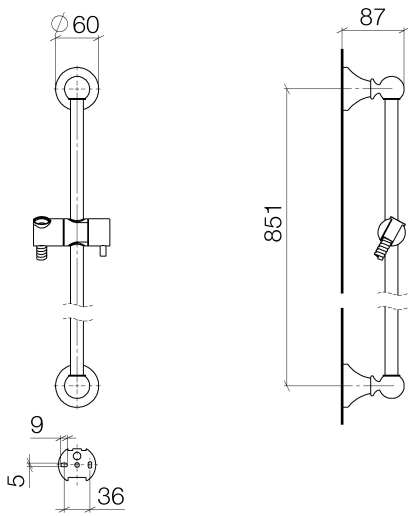
Required miscellaneous

| | | |
|--|--|-----------------------|
| | MADISON Metal hand shower with porcelain insert (white) FlowReduce - Chrome | 28 002 970-00 0010 |
|--|--|-----------------------|

Required miscellaneous

| | | |
|---|--|-----------------------|
| | MADISON Hand shower FlowReduce - Chrome | 28 002 978-00 0010 |
| <ul style="list-style-type: none"> • spray head Ø 95mm • Hand shower see page {PAGE} • Three settings: COMPACT RAIN, COMPACT SOFT FLOW, COMPACT AQUAPRESSURE FLOW, max. flow rate l/min (at 3 bar) | | |

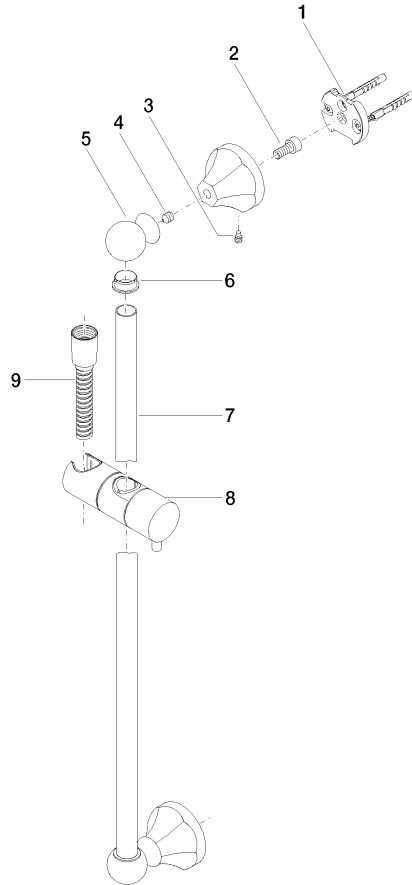
26 413 370



Certificates

WRAS_2009048. IAPMO_4976 (1).

26 413 370



Spare parts list

| No. | Item Number | Name | Quantity used | Delivery time |
|-----|--------------------|--|---------------|---------------|
| 1 | 05 17 97 507 00 90 | fixing set | 2 | 2 |
| 2 | 09 30 30 048 90 | screw | 2 | 2 |
| 3 | 09 31 11 140 90 | pin | 2 | 60 |
| 4 | 09 31 11 002 90 | pin | 2 | 2 |
| 5 | 09 21 40 020-00 | connection | 2 | 60 |
| 6 | 09 18 40 009 90 | sleeve | 2 | 2 |
| 7 | 08 28 22 596-00 | pipe | 1 | 10 |
| 8 | 12 580 970-00 | Slide unit - Chrome | 1 | 10 |
| 9 | 28 204 970-00 | Metal shower hose 1/2" x 1/2" x 1750 mm - Chrome | 1 | 2 |